

# TECUMSEH

## Tecumseh's 1655 Full Variable Speed Centrifuge **TEC-1655-FVS**

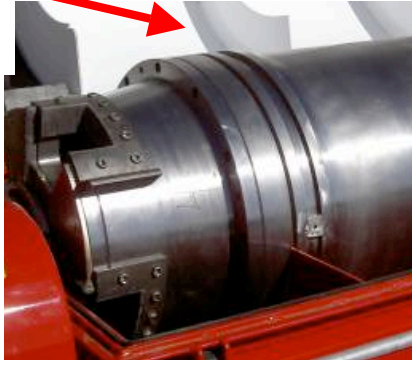


The TEC-1655-FVS centrifuge is a Full Variable Speed model, which provides operators with the ability to adjust operating parameters including the differential speed, bowl speed, and feed rates while the centrifuge is in operation.

Our 1655 Full Variable Speed centrifuge has the added benefit of a “direct drive” Conveyor drive assembly. With the direct conveyor drive design, we have increased the efficiency of the conveyor drive motor significantly as well as eliminated any maintenance issues associated with utilizing belts and sheaves.

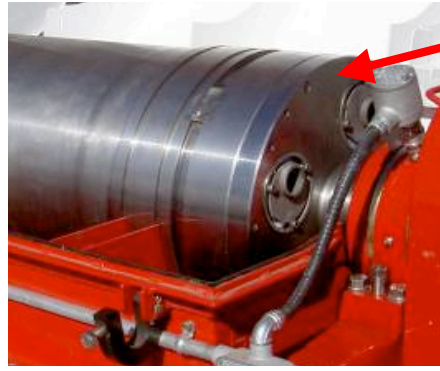
Flexibility, reliability and performance are attributes that all of our centrifuges come with. **Tecumseh, we truly *are* the experts!**

4 Solids  
Discharge Ports



TEC-1655-FVS Centrifuge Solids Discharge End

4 Liquid  
Discharge Ports



TEC-1655-FVS Centrifuge Liquid Discharge End

## TEC-1655-FVS CENTRIFUGE APPLICATIONS

- Weighted Drilling Fluids Processing
- Drilling Fluids Processing & Polishing
- Dewatering
- Barite Recovery
- Meat Rendering & Nutrient Control
- Waste Fluids Treatment, Recovery, and Disposal
- Produced Water Processing
- Pulp and Paper
- Sump Cleaning
- Heavy Oil Drilling and Plant Processes
- Distillers (Brewing Industry)
- Municipal Waste Water Treatment
- Bio Fuel
- Industrial & Chemical
- Vegetable Oil
- Fish Oil & Fish Meat
- Dairy & Beverage
- Marine

## PROCESSING SPECIFICATIONS

Maximum Hydraulic Capacity  $1.0 \text{ m}^3/\text{min}$ . (265 US-GPM) with water.  
Maximum Rate of Solid Loading: 14,000 lbs/hour (7 tons/hour)  
Sound Level: 90dBa @ 1m

## **OPERATING SPEEDS FOR OILFIELD APPLICATIONS**

### **Low Speed Operations for High Gravity solids removal (i.e. barite recovery)**

Bowl Speed: 1,150 – 2,000 RPM

Acceleration: 300 – 908 g

Differential: 30 – 60 RPM

### **High Speed Operation for Low Gravity Solids Removal (i.e. fine drilled solids polishing)**

Bowl Speed: 2,100 – 3,150 RPM

Acceleration: 1,000 – 2,254 G's

Differential: 10 – 30 RPM

### **Maximum Safe Operating Range**

Bowl Speed: 3,150 RPM

Acceleration @ 3,150 RPM: 2,254 G's

Differential: 10 – 60 RPM

## **TEC-1655-FVS OTHER SPECIFICATIONS**

### **Bowl Dimensions**

16in x 55in (406.5mm x 1398mm)

### **Beach Angle**

10-degree beach angle

### **Pool Port (pond) Adjustment**

1 – 13 units of adjustment.

### **Main Drive Motor**

60hp

### **Conveyor Drive Motor**

20hp

### **Weight (Empty)**

9000lbs (4085kgs)

### **Flighting Pitch**

110mm (4.25 in.)

### **Maximum Safe Operating Conveyor Torque**

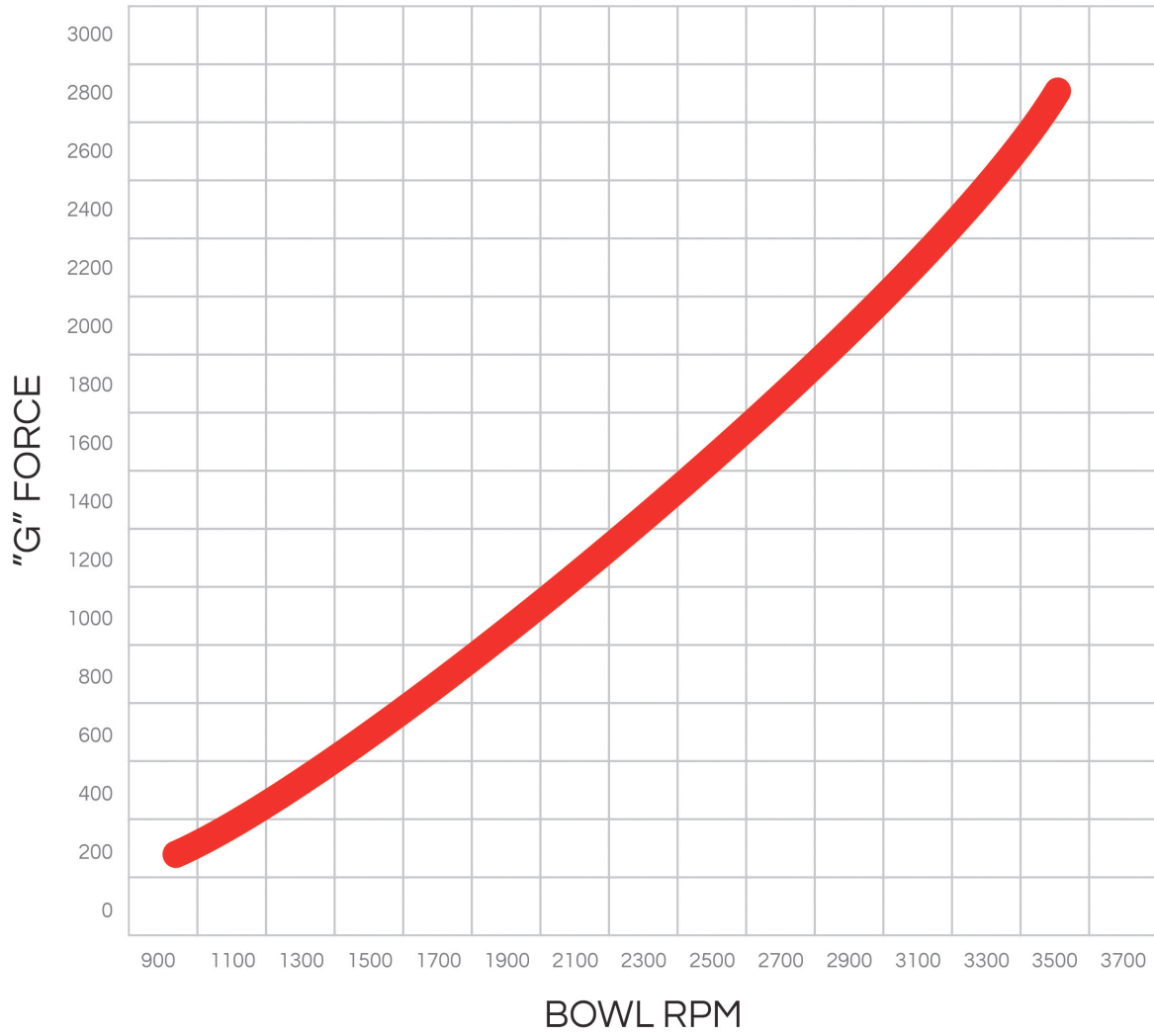
100,000 in/lbs (11.3 kNm) of torque

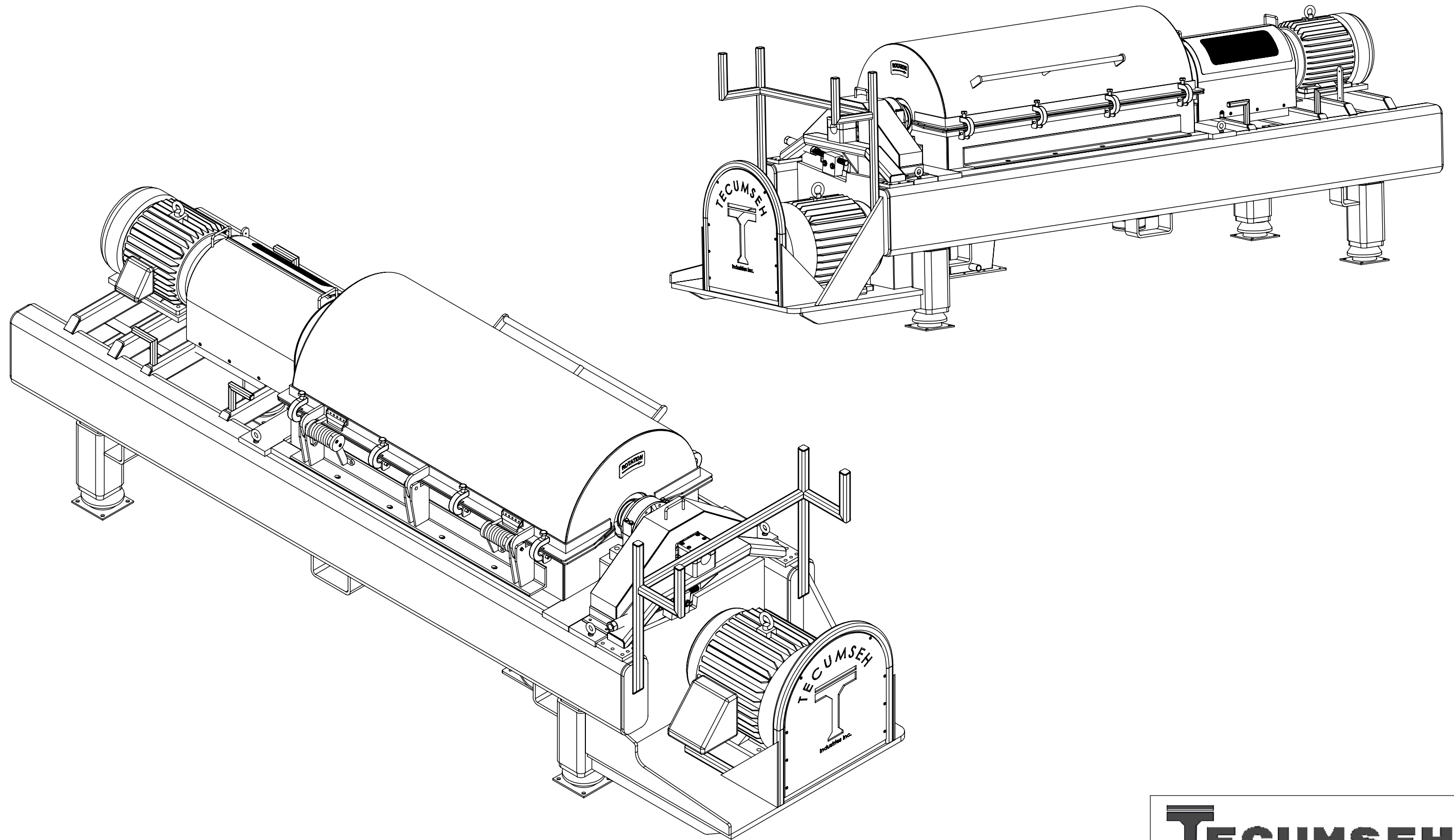
### **Gearbox Ratio**

56:1 ratio

### **Power Required:**

1 – 100 amp plug @ 480 VAC



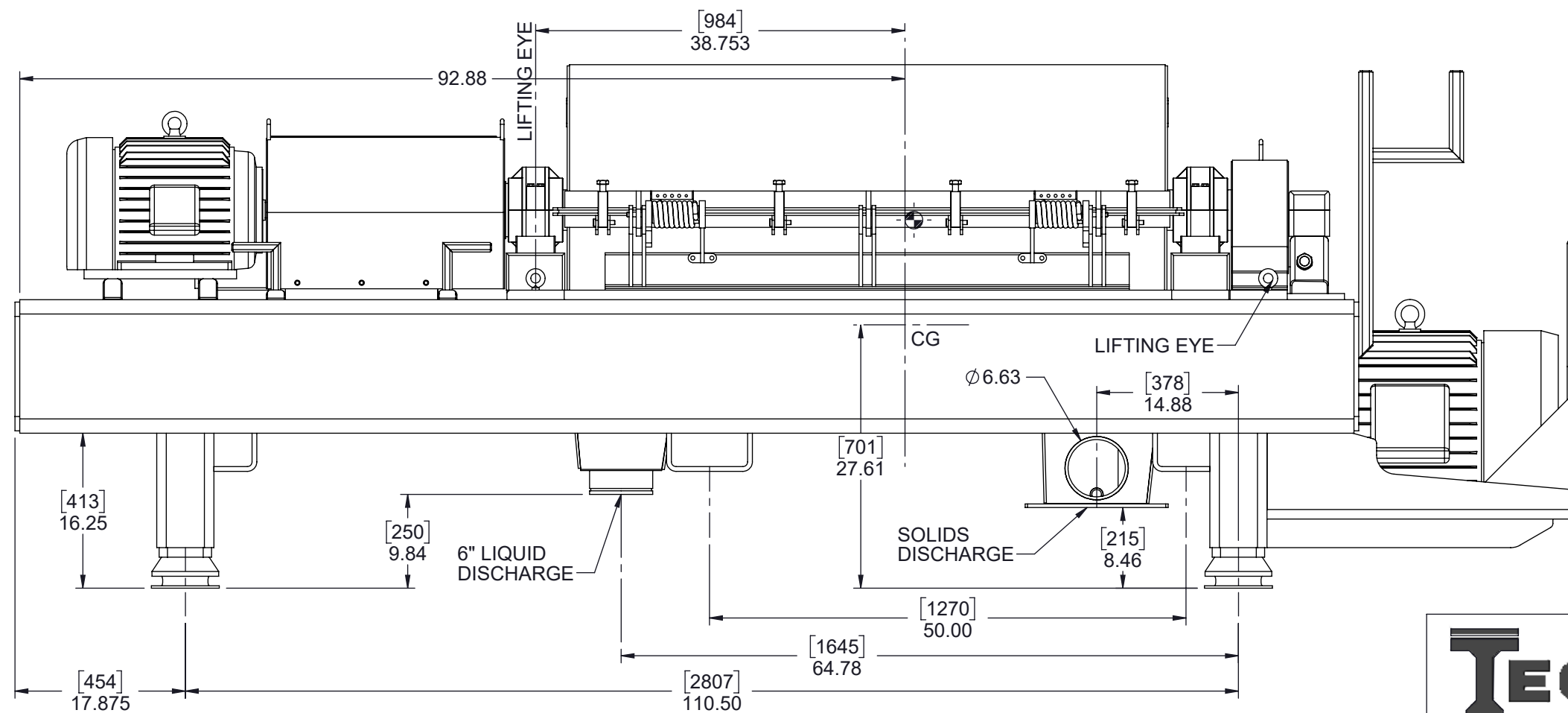
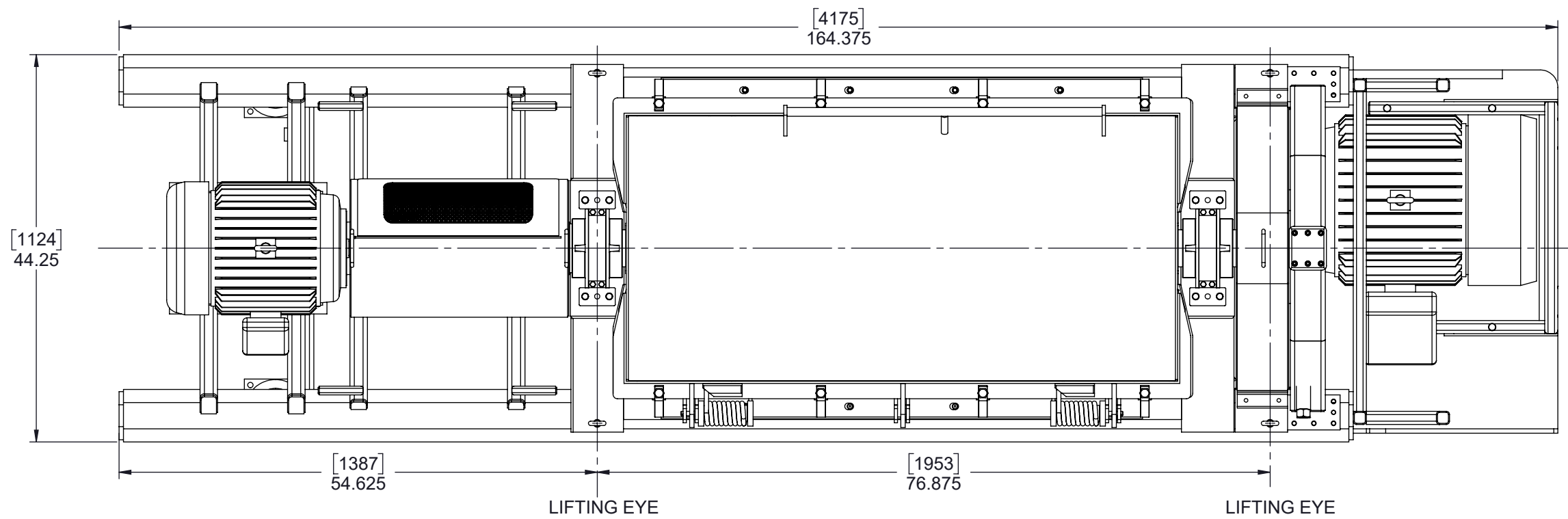


**TECUMSEH**

COPYRIGHT TECUMSEH INDUSTRIES LTD 2019

TITLE:

**Centrifuge TEC-1655 General Assembly**

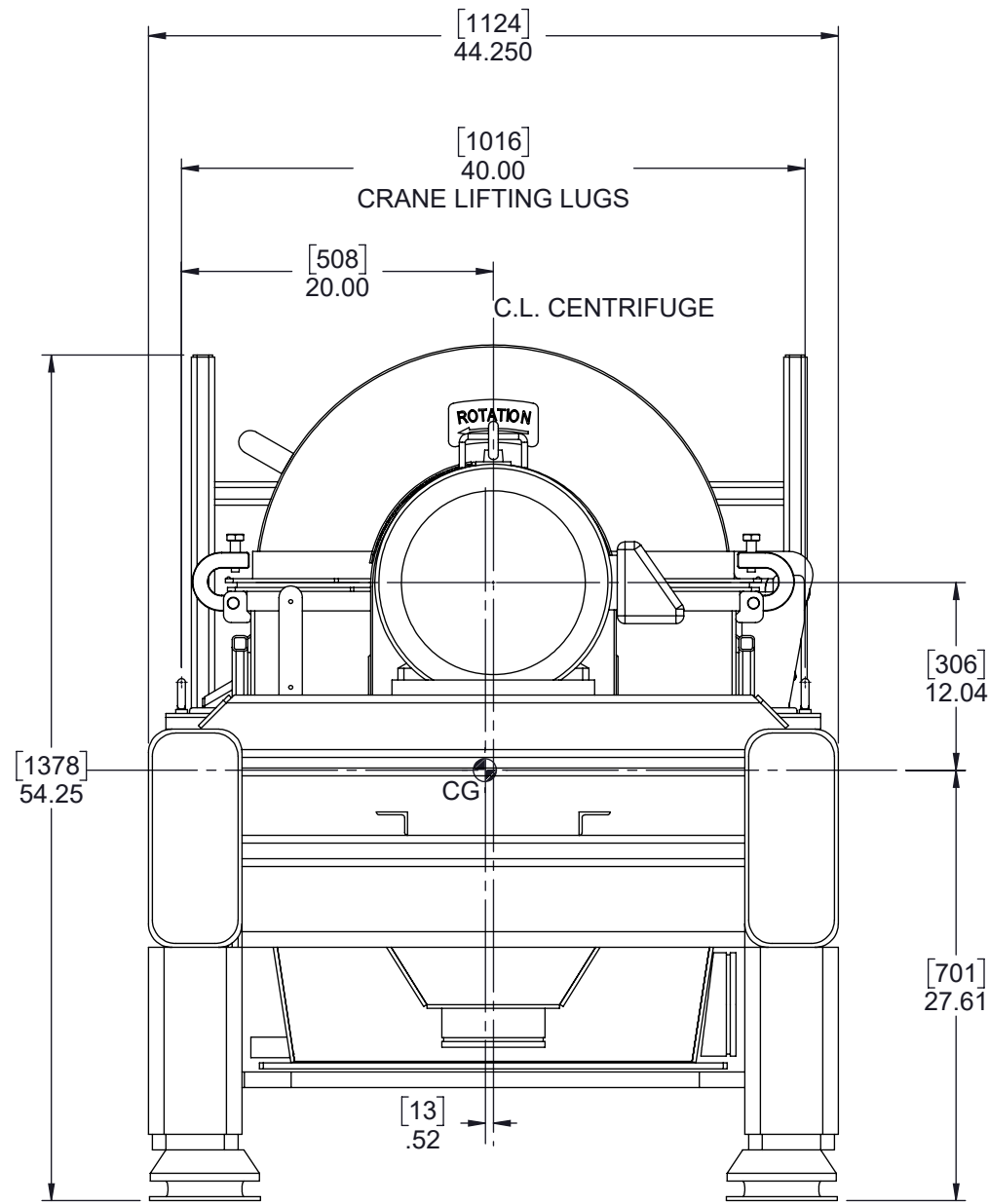


**TECUMSEH**

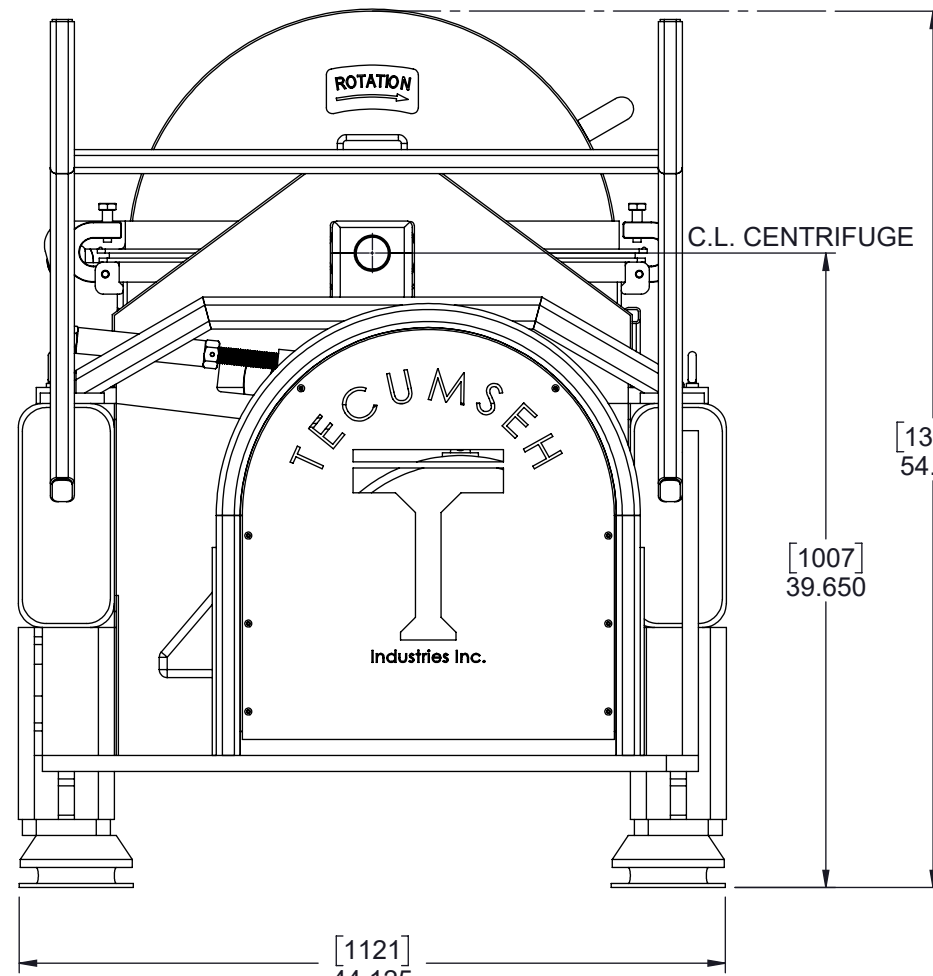
COPYRIGHT TECUMSEH INDUSTRIES LTD 2019

TITLE:

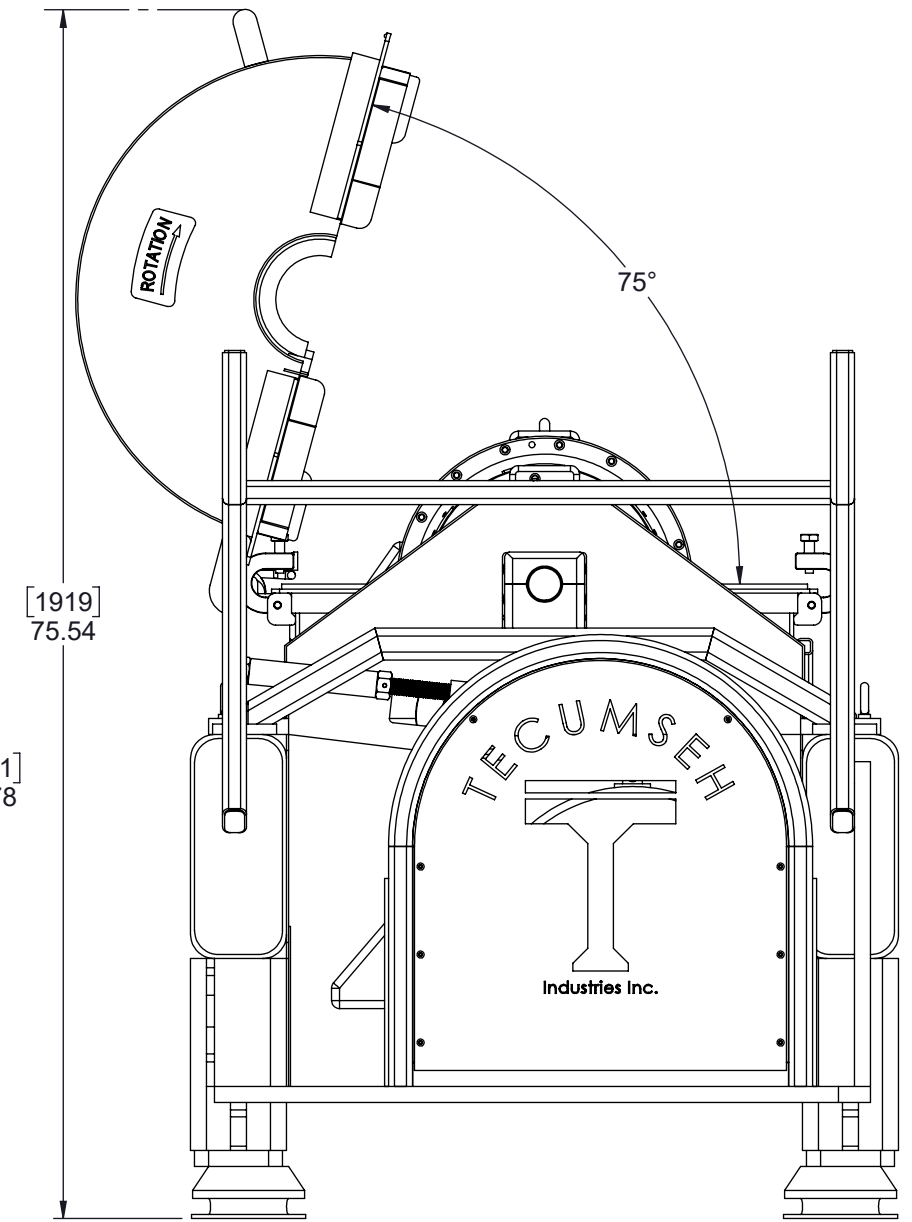
**Centrifuge TEC-1655 General Assembly**



LIQUID END VIEW



SOLID END VIEW



SOLID END - OPEN LID VIEW

**TECUMSEH**

COPYRIGHT TECUMSEH INDUSTRIES LTD 2019

TITLE:

**Centrifuge TEC-1655 General Assembly**